

产品承认书

SPECIFICATION FOR APPROVAL

客 户 (Customer):

规 格 (Description): AC Brushless fan

型 号 (Model No.): YAH1225B2

样品编号 (Sample No.): 20220723002-1

送样日期 (Sample Date):

<p>客户承认栏</p> <p>CUSTOMER APPROVAL</p>			
	<p>核 准</p> <p>APPROVED</p>	<p>审 核</p> <p>CHECKED</p>	<p>制 表</p> <p>DRAWN</p>
<p>感谢选择 YCCFAN 产品，若样品符合贵司的要求，劳烦将此承认书签章回传到敝司。</p> <p>Thanks for choosing YCCFAN products. Please sign and return this approval sheet to us after confirming the data.</p>	<p>赖勇文</p>	<p>罗鑫水</p>	<p>雷雪琳</p>

深圳市永诚创科技有限公司

SHENZHEN YCCFAN TECHNOLOGY CO.,LTD.

永诚创国际(香港)有限公司

YCCFAN INTERNATIONAL (HK) LIMITED

地址:深圳市宝安区福海街道建安路 22 号

ADD:No.22 Jianan Rd, Fuyong Town,Baoan District,Shenzhen,China.518100

TEL:0755-29887126/27/35/36


FAX:0755-29887129

E-MAIL: yccfan@yccfan.com

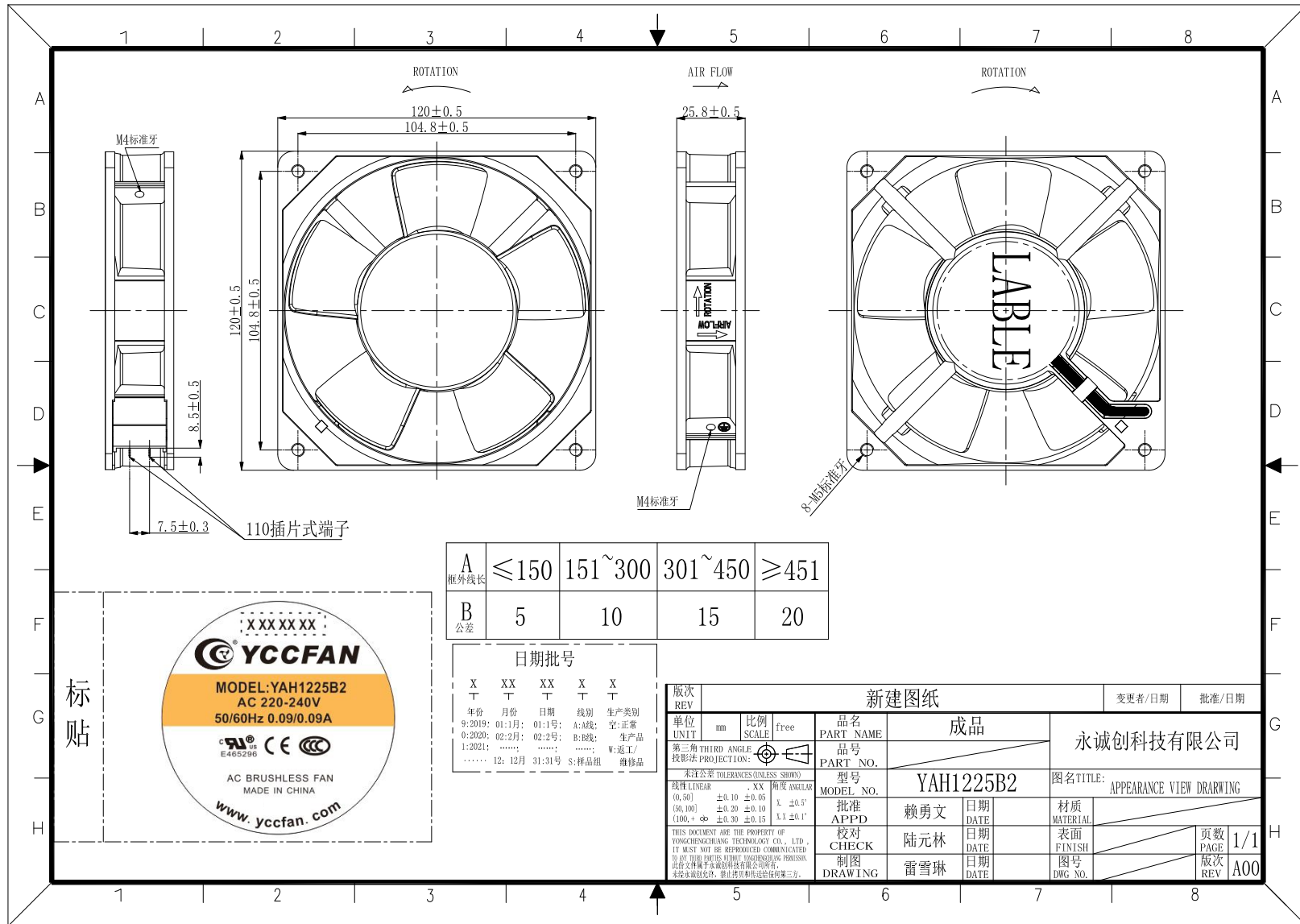
HTTP: www.yccfan.com

规格说明书 SPECIFICATION

1. 结构 Mechanical		
1-1 尺寸 Dimension	120*120*25MM	
1-2 外框 Housing (铝材 Aluminum)	<input checked="" type="checkbox"/> 铝中管 Aluminum Pipe <input type="checkbox"/> 铜中管 Copper Pipe <input checked="" type="checkbox"/> 8-M5 <input type="checkbox"/> 4-M4 <input type="checkbox"/> 8-Ø4.2	
1-3 扇叶 Impeller (Black PBT(Glass Fiber Reinforce))	<input checked="" type="checkbox"/> 5 Blades <input type="checkbox"/> 7 Blades <input type="checkbox"/> UL94V-0	
1-4 接线类型 Connect Type: <input checked="" type="checkbox"/> 端子型 Terminal type:110 插片式端子	<input checked="" type="checkbox"/> 导线型 Lead Wire 线长 Length= <input type="checkbox"/> 200 <input type="checkbox"/> 260 <input type="checkbox"/> 350 <input type="checkbox"/> 380 <input type="checkbox"/> 500 <input type="checkbox"/> 650	
1-5 轴承 Bearing	<input type="checkbox"/> 含油轴承 Sleeve Bearing <input checked="" type="checkbox"/> 双滚珠轴承 Dual Ball Bearing (NMB)	
1-6 马达结构 Motor Structure	<input checked="" type="checkbox"/> 罩极式 Shade-pole <input type="checkbox"/> 串激式 Capacitor Induction	
1-7 重量 Weight	287g	
2. 电气特性 Electrical Characteristics(在无阻力空气及额定电压条件下 In Free Air/At Rated Voltage)		
2-1 额定电压 Rated Voltage	220V/50Hz	220V60Hz
2-2 额定电流 Rated Current	0.09(max:0.11)A	0.07(max:0.09)A
2-3 标签电流/Label Current	0.09/0.09A	
2-4 额定输入功率 Rated Input Power	14.5±10%W	11.2±10%W
3. 效率 Efficiency		
3-1 转数 Rated Speed	2000±250	2200±250
3-2 最大风量 Maximum Air Flow	60.0(min:52.5)CFM	71.50(min:63.37)CFM
3-3 最大静压 Maximum Static Air Pressure	2.98(min:2.28)mmAq	3.36(min:2.64)mmAq
4. 特性规格 Characteristics		
4-1 操作电压 Operating Voltage	220V-240V	
4-2 起动电压 Starting Voltage	175V	
4-3 锁定电流 Locked Current	0.09A	0.07A
4-4 操作温度 Operating Temperature	-10℃~+70℃	
4-5 储存温度 Storage Temperature	-40℃~+80℃	
4-6 绝缘类型 Insulated Type	Class B (130℃)	
4-7 安全规格 Safety Standard	<input checked="" type="checkbox"/> UL <input checked="" type="checkbox"/> CUL <input checked="" type="checkbox"/> CCC <input checked="" type="checkbox"/> CE <input checked="" type="checkbox"/> RoHS	
4-8 保护功能 Protection (<input checked="" type="checkbox"/> 表示选择项 Said options) :		
4-8-1 马达保护 Motor protection: <input checked="" type="checkbox"/> 阻抗保护 Impedance protected; <input type="checkbox"/> 温控保护 Thermal protected; (温控保险丝型号 Thermal controller model: AUPO 150℃ P7-F 2A250V-02 TF150 耐压 1800V) .		
4-8-2 风扇旋转锁定测试: 将风扇通电锁死测试至少 12 小时, 当锁定解除之后均仍然正常运转。		

4-9 噪音分贝 Noise Level	35.7(max:38.5)dBA	37.9(max:40.5)dBA
<p>4-9-1 噪音测试说明 Noise Measure Condition</p> <p>参照标准 ISO3745/GB4214-84, 背景噪音 10±2dBa, 室内环境下测量; According to Standard ISO3745/GB4214-84, Back ground noise 10±2dBa with room condition; 测试方法 Measure Condition: 风扇悬吊在无响室内, 在额定电压下, 麦克风距风扇进风口 1 米距离测试; Fan is hanged in anechoic chamber, measured at rated voltage, measure microphone at a distance of one meter from the fan air intake;</p> <div style="text-align: center;">  <p>The diagram illustrates the noise measurement setup. On the left is a vertical rectangle labeled 'FAN'. On the right is a microphone symbol labeled 'Microphone'. A horizontal double-headed arrow between them is labeled '1M'. Below the fan, an arrow points to the left, labeled 'Air Flow'.</p> </div>		
4-10 环境湿度测试 Environment humidity	10%(RH)45℃ for 24 hours & 98% (RH) 45℃ for 24 hours	
4-10 绝缘阻抗强度 Insulation resistance	<p>在框架与两条导线间加 500V 直流电压之绝缘阻抗 10MΩ以上 At least 10MΩ at 500 VDC between frame and both lead wires</p>	
4-11 绝缘耐压强度 Dielectric strength	<p>必须能抵抗在框架与两线间加 1500V/1mA 交流电压 1 分钟 Withstand 1500VAC/1mA for 1 minute between frame</p>	
<p>4-12 预期寿命(L10): 指在额定电压及常温常湿(25℃/65%)条件下连续运转, 基于信赖水准 90%所得出的寿命值 Life Expectancy:Continuously operation at rated voltage and room temperature 25℃ & humidity 65%</p>		
<p>4-12-1 含油轴承寿命: 30000 小时 Sleeve bearing life expectancy:30000 Hours</p>		
<p>4-12-2 双滚珠轴承预期寿命: 50000 小时 Two balls bearing life expectancy:50000 Hours</p>		
4-13 端子抗拉强度 Tensile strength of connector	<p>端子以 1 公斤的拉力拉扯 15 秒不会脱落 Connector will not be any broken at 1 Kg for 15 seconds per piece.</p>	
4-14 特性定义 Characteristics Definition		
<p>4-14-1 额定电流、额定转速、额定功率在额定电压下, 马达连续运转 5 分钟达到规格下限, 10 分钟达到正常值; Rated current, rated speed, and rated input power will reach bottom line of specification after 5 minutes Continuously running at rated voltage and reach standard specification after 10 minutes continuously running at rated voltage.</p>		
<p>4-14-2 起动电压是指当突然通电后能够使风扇起动之最低电压, 通常指 ON/OFF 启动电压值; Starting voltage is the least voltage that enables to start the fan by sudden power on,generally means ON/OFF starting voltage.</p>		

5. 外观尺寸图 (Dimension Drawing) (Unit:mm):



6. 注意事项(Notes):
<p>6-1 使用时请勿超出本规格所规定之极限，否则我们不保证此产品</p> <p>We will not guarantee the products if the application of our products are exceeded the limitation which is specified on this specification.</p>
<p>6-2 倘若要变更此份文件的任何规格，请务必事先提出需求</p> <p>In case of changes of the specification specified on this document.A written notice is requested in advance.</p>
<p>6-3 请勿触压着叶片以及电源线缠绕着风扇或用力拉扯电源线，如此轴心与电源线将会被损毁</p> <p>Please do not touch the impeller with the pressure and never bring the fan with lead wire.The bearing and lead wire may be damaged.</p>
<p>6-4 本产品不保证因粉尘、水滴、小虫进入，而影响寿命与不良品产生</p> <p>No guarantee on the products against the safety problem or failure caused by powder dust, drop of water or insect.</p>
<p>6-5 如有任何资料及文件与此份资料不同，将以此份资料为主要参考</p> <p>If there is any data or related documentation different from this data sheet.This data sheet is the principle reference.</p>
<p>6-6 请勿在可燃性气体与任何有害环境中使用</p> <p>Please do not use the fan in the environment of corrosive gas or liquid or any detrimental gas.</p>
<p>6-7 请于六个月内使用，否则风扇存放在很高温或很低温，温度很高或室温中风扇于六个月后会有漏电流产生</p> <p>Please do not store the fan in the environment of high or low temperature, high humidity or detrimental gas. Please store within six months,if exceed six months,shall be a leakage of electric current to the fan, even though the fan is stored in room.</p>
<p>6-8 当风扇于运转中，请勿企图将风扇锁死特别长的时间，如此，会因连续停止不转，产生高热而烧毁风扇</p> <p>While the fan is in operation, please do not lock the fan intentionally for a long periods of time, since the continuous stoppage will result in overheat and thus burnt out the fan</p>
<p>6-9 组装风扇时，请特别注意，因共振或振动产生的噪音</p> <p>During the installation of the fan, please pay substantial attention to possible notice caused by resonance vibration and shock.</p>
<p>6-10 当搬运或作业中，风扇如从 60cm 的高度落下，将会对叶片的平衡产生若干影响，特别是滚珠轴承避免掉落</p> <p>It is very important to notify that avoid to drop from 60cm height when in any movement or operation,it will impact the balance of blade. Especially ball bearing structure is avoided to drop down.</p>
<p>6-11 锁外壳之螺丝扭力不得超 4Kgf</p> <p>The torque of the screw which locked the frame should not exceed 4 Kgf</p>