

1
RoHS Compliance

2

3

4

5

6

7

8

A

B

C

D

E

F

G

H

A

B

C

D

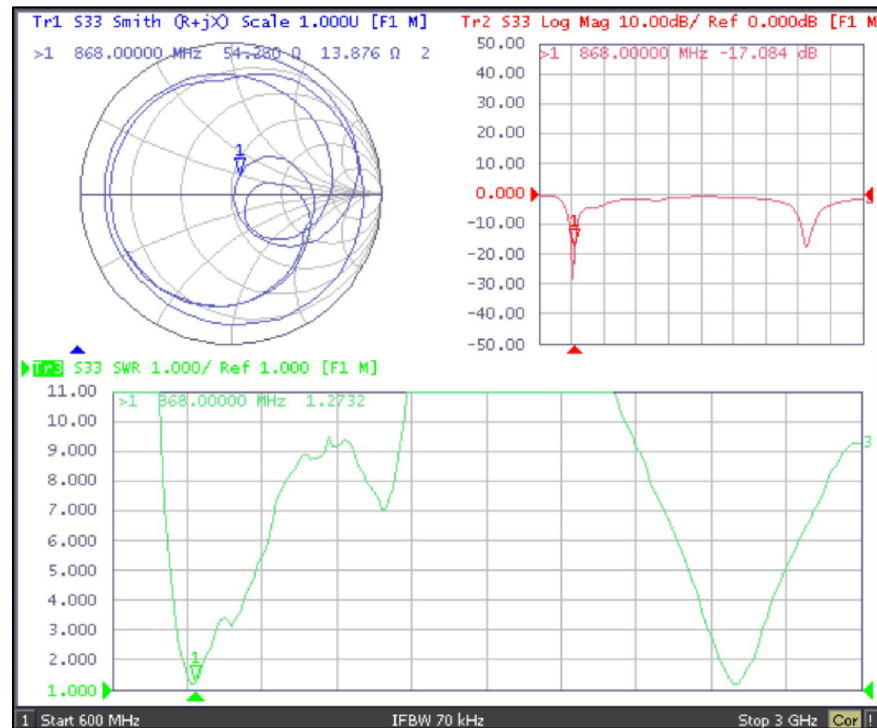
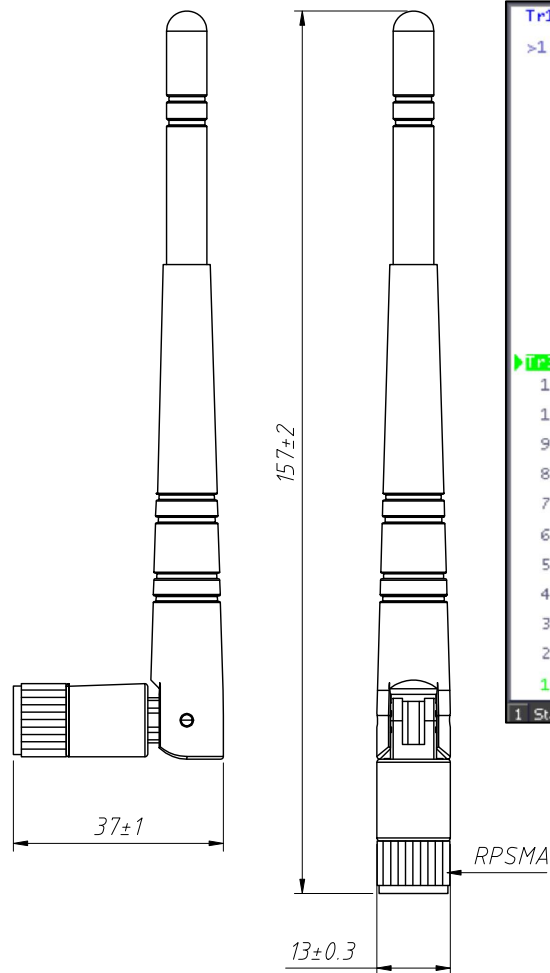
E

F

G

H

Performance parameters	
Product name	868MHz Glue Stick Antenna
Model Type	L-KLS1-86806142
Frequency Range	868±5 MHz
Vswr	≤2.0
Peak Gain	1DBi
Impedance	50 OHM
Polarization	Vertical
Radiation	Omnidirectional
Max power	10 W
Connector	Rpsma
Dimensions	157 mm× 13 mm
Shell material	TPE / ABS
Temperature	-35° ~ 80°
Lighting protection	DC grounding
Band Width	10 MHz
Installation	Screw



ANGLE TOLERANCE	PROJECTION	Description:	
±3°		868MHz Glue Stick Antenna	
GENERAL TOLERANCE	UNITS	mm	KLS P/N:
x.x ±0.30	SHEET SIZE	A4	L-KLS1-86806142
x.xx ±0.20	Draw:	Daniel	2022-03-15
x.xxx ±0.10	Check:	Daniel	2022-03-15



NingBo KLS ELECTRONIC CO.,L TD.