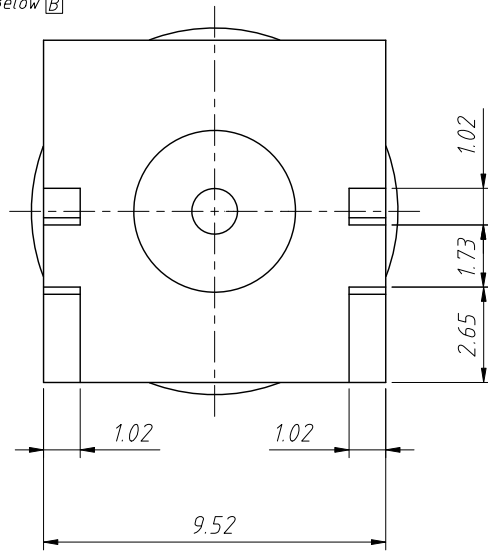
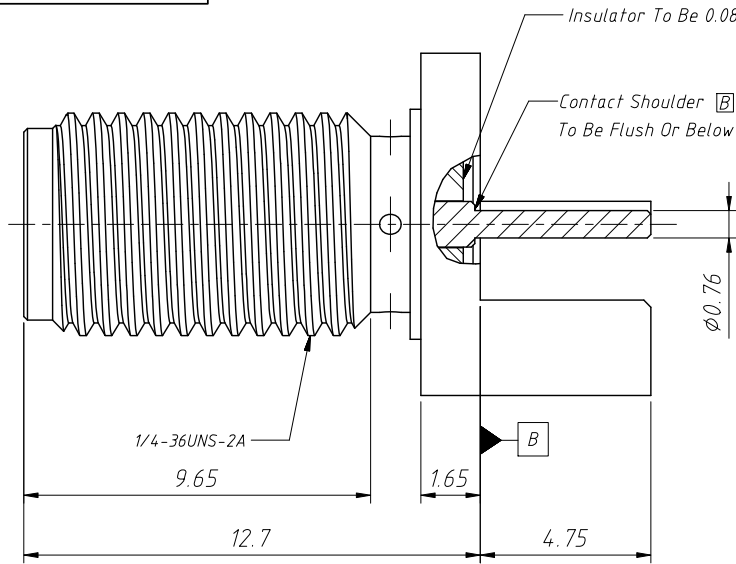
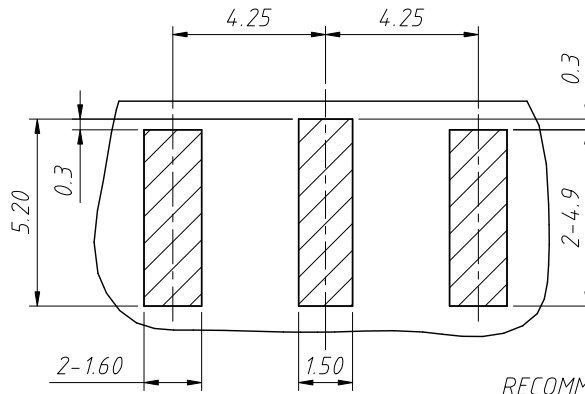
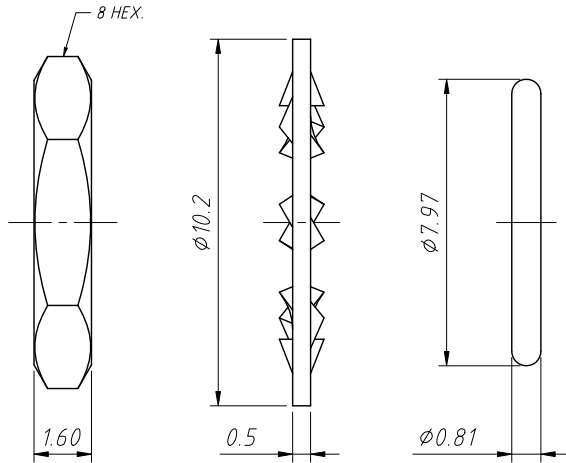
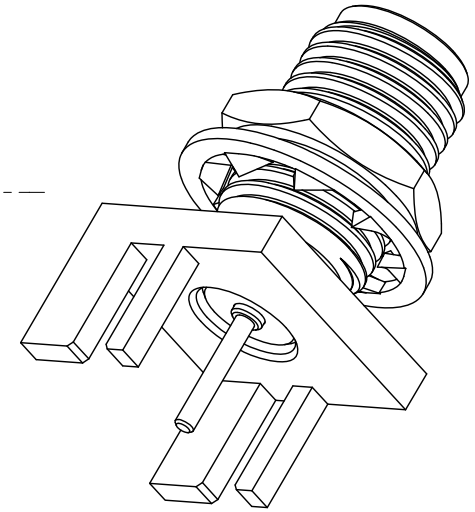


RoHS Compliance

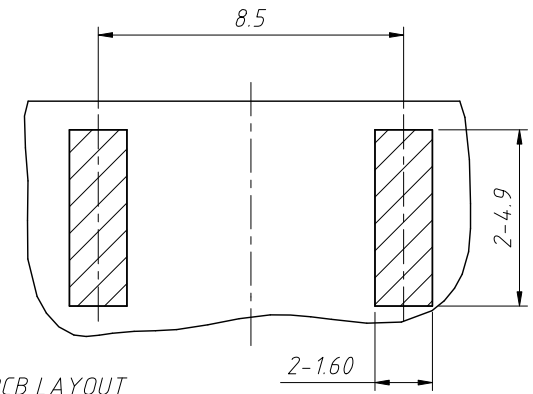


$\phi 6.6 \pm 0.1$

Recommended Mounting Hole



RECOMMENDED PCB LAYOUT



TOP VIEW

BOTTOM VIEW

Material:

1. Body: Brass, Gold Plating
2. Insulator: PTFE, Neutral
3. Contact Pin: Ber. Copper, Gold Plating
4. Hex Nut: Brass, Gold Plating
5. Lock Washer: Brass, Gold Plating
6. O-Ring: Silicone Rubber, Red

Electrical Specifications:

1. Impedance: 50Ω
2. Frequency Range: 0-6GHz
3. Dielectric Withstanding Voltage: 1000 vrms Min
5. Durability: 500 Cycles Min.
6. Temperature Range: -65°C to +165°C
7. Contact Pin Must Withstand 6 LBS Min. Axial In Both Directions And 4 IN-OZ Min. Radial Force
8. Board Thickness = 1.57mm
9. Max. Panel Thickness = 3.5mm

ANGLE TOLERANCE	PROJECTION	Description:	RF Connector SMA PCB End Launch Jack Female 50Ω
±3°			
GENERAL TOLERANCE	UNITS	mm	KLS P/N: L-KLS1-SMA069
x.x ±0.30	SHEET SIZE	A4	
x.xx ±0.20	Draw:	Daniel	2020-11-11
x.xxx ±0.10	Check:	Daniel	2020-11-11



NingBo KLS ELECTRONIC CO.,LTD.